

# Hall Effect Pickup

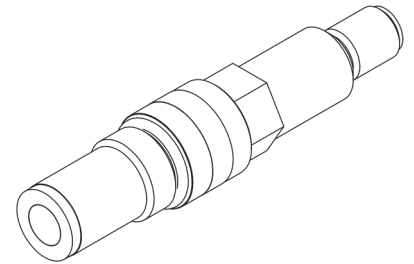
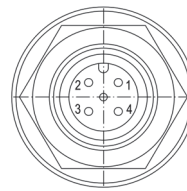
P/N 66.60.299-3416-009

## Dimensions

- Thread 3/4-16 UNF-2A
- Length 101 mm (3.98")  
(more dimensions see overview drawing)

## Connections

- Pole connector M12x1, 4-pole, pin
- 1 = Vs
- 2 = Unused
- 3 = Common
- 4 = Vout



## Triggering

- Possible triggers Blind holes, through holes, screws, pins, metal inserts, slots

## Mechanical Data

- Air gap 0.25 mm to 3 mm (0.01" to 0.12")
- Tightening torque 15 Nm (11 lb-ft)
- Protection class IP67, IP69
- Enclosure material Stainless steel
- Hexagon nut Wrench opening 11/16"
- Permissible shock 50 g
- Permissible vibration load

Frequency	Acceleration
2 Hz to 10 Hz	Constant vibration displacement of 1.125 mm
10 Hz to 250 Hz	Constant vibration velocity of 0.0707 m/s
250 Hz to 1,000 Hz	Constant acceleration of 11 g

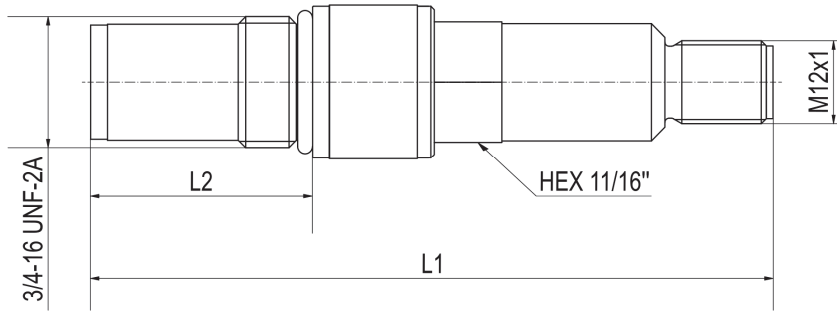
## Climatic Environmental Conditions

- Permissible temperature range -25 °C to +125 °C (-13 °F to 257 °F)

## Electrical Data

- Supply voltage 8 V DC to 32 V DC
- Max. power consumption without load 15 mA
- Max. output current ±40 mA
- Operating frequency 0 kHz to 10 kHz
- Signal output Push-pull
- Signal assignment at output High level: metal  
Low level: no metal
- Protective measures Reverse polarity protection, overvoltage protection, short circuit protection (clocked)
- High level (with 10 kΩ load at output) Vs ... Vs - 2 V
- Low level (with 10 kΩ load at output) 0 ... 0.5 V

## Overview Drawing



Feature	Value
L	101 mm (3.98")
L1	32.85 mm (1.29")