

■ New Product

## DENSO® Spark Plug GI3-4

### For ROLLS ROYCE®, WÄRTSILÄ® and CATERPILLAR® Gas Engines

The DENSO® spark plug GI3-4, for years an exclusively made product for engine manufacturers like ROLLS ROYCE® and WÄRTSILÄ®, is now available for the gas engine aftermarket.

Provided with all positive characteristics of the IRIIDIUM SAVER PERFORMER family, the Cross Groove design, the 360° laser welding and iridium/platinum alloy on center and ground electrode, this spark plug type is one more DENSO® product standing for high quality and long life.



### The SAVER's key to long plug life

#### Unique "Iridium Alloy"

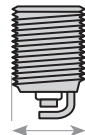

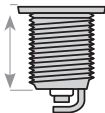
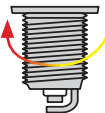
A unique, high welding point "iridium alloy" developed and patented by DENSO®, dramatically improves wear resistance compared to other iridium spark plugs.

#### 360° Laser Welding

Secure welding of the iridium tip by "360° laser welding" can withstand all extreme engine conditions.


#### Cross Groove Design

4 small electrodes created by Cross Groove improve sparking performance and suppress dispersion in voltage value, for an outstanding voltage decrease.

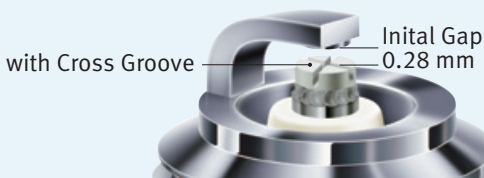
Installation Dimension and Tightening Torque				
Thread	Hex Size	Reach	Torque	
				
M18x1.5	7/8 in (22.2 mm)	0.874 in (20.6 mm)	without lubricant	45 Nm, 33 lb-ft

**Electrode Design**

Iridium pad with cross groove on center electrode and platinum pad on copper cored ground electrode.



## GI3-4



### Cross References

IRIDIUM SAVER PERFORMER	ROLLS ROYCE®	WÄRTSILÄ®	CATERPILLAR®
GI3-4	706522	PAAE059695	193468054 339-9790

#### DISTRIBUTION

Customers / others	Yes
Representatives and Sales Partners	Yes
OEM partners	Yes
MOTORTECH subsidiaries	Yes