

Replacement of pressure transmitter (MAP sensor)

MOTORTECH is discontinuing and replacing the following sensors:





- › 56.02.017 pressure transmitter 0 – 3 bar abs. (ATEX)
- › 56.02.016 pressure transmitter -1 – 3 bar abs. (Non-ATEX)

with immediate effect.

The standard 56.02.017 pressure transmitter will be replaced by a Non-ATEX version, P/N: **56.02.021** in sensor harnesses and as a stand-alone item. The technical properties will remain without any change.

The new P/N: **56.02.022** will be available as a stand-alone ATEX version in the case of customer demand.

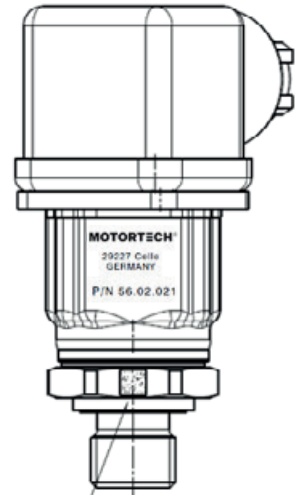


TECHNICAL DATA	OBSOLETE 	AVAILABLE 	AVAILABLE 
	56.02.017 (old ATEX version, discontinued)	56.02.021 Non-ATEX	56.02.022 ATEX 
Pressure range	0 – 3 bar abs.	0 – 3 bar abs.	0 – 3 bar abs.
Analog output	4 – 20 mA; 2-pole; 10 – 28 V DC	4 – 20 mA; 2-pole; 8 – 30 V DC	4 – 20 mA; 2-pole; 16 – 28 V DC
Medium temperature	-40 – 125 °C	-40 – 125 °C	-40 – 85 °C
Ambient temperature	-30 – 85 °C	-40 – 125 °C	-40 – 85 °C
Storage temperature	-40 – 100 °C	-40 – 125 °C	-40 – 100 °C
IP class	IP65	IP65	IP65
Connector	Pin socket ISO 4400 and 90 ° connector	Pin socket, DIN EN 175301-803, Form A; 90 °	Pin socket, DIN EN 175301-803, Form A; 90 °
Medium thread	G ¼ DIN 3852-11, CrNi	G ¼ DIN 3852-11, CrNi	G ¼ DIN 3852-11, CrNi;
Mounting torque	-	≤ 20 Nm	≤ 20 Nm
Conformity	CE, ATEX/IECEx II 1G Ex ia IIC T4 Ga; II 1D Ex ta IIIC T 85 °C, IP6x	CE, UKCA, RoHS, WEEE, EN 61326-2-3; EN 60529 UL 61010-1 CAN/CSA-22.2 No. 61010-1	CE, UKCA, RoHS, WEEE, EN 61326; EN 60529 UL 61010-1 CAN/CSA-C22.2 No. 61010-1-12, ATEX II 2G Ex ib IIC T6 ... T4 Gb II 2D Ex ib IIIC T70 °C ... T100 °C Db
Dimensions	L/B/H: 100 mm / 35 mm / 50 mm	L/B/H: 75 mm / 30 mm / 50 mm	L/B/H: 75 mm / 30 mm / 50 mm

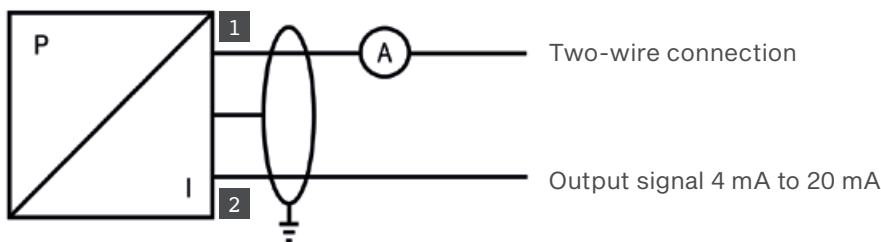
Affected harnesses

These harnesses will change to new Non-ATEX pressure transmitter 56.02.021

P/N	Description
06.30.025	Sensor harness MAN E2876LE
06.30.026	Sensor harness MAN E0836LE202
06.30.040	Sensor harness MAN E2842LE
06.30.045-L	Sensor harness with MAT/MAP sensor
06.30.053	Sensor harness MAN E2848/42LE322
06.30.093	Sensor harness MAN E2876TE302
06.30.101	Sensor harness MAN E0834LE302
06.30.104	Sensor harness Liebherr G946
06.30.106	Sensor harness Liebherr G944
06.30.113	Sensor harness Liebherr G9508
06.30.116	Sensor harness Liebherr G9512
06.30.162	Sensor harness MAN E3268LE/E3262LE
06.30.164	Sensor harness MAN E2676LE
06.30.169	Sensor harness MAN E0836LE302
06.30.171	Sensor harness Liebherr G924Ti
06.30.178	Sensor harness Doosan GV222Ti
06.30.186	Sensor harness MAN E3262LE 252
06.30.187	Sensor harness MAN E3268 LE/E3262LE



Pin Designation



- 1** Power supply
- 2** Signal output 4 mA to 20 mA