

Ignition Coil

P/N 06.50.102

Dimensions

- length 161.6 mm (6.36")
- width 101.2 mm (3.98")
- height 72 mm (2.83")
- distance between fastening screws 73 mm (2.87")

Connections

- primary side N10-32UNF
- secondary side female
- torque primary side 3 Nm (2.2 lb-ft) ± 10%

Mechanical Data

- weight approx. 1 kg (2.2 lb)
- permissible vibrations 5g at 20 Hz to 2000 Hz
- torque of fastening screws on the ignition rail 16 Nm (11.8 lb-ft) ± 10%

Climatic Environmental Conditions

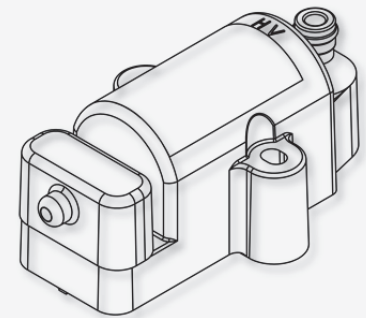
- permissible temperature range -20 °C to +95 °C (-4 °F to +203 °F)
- maximum relative humidity 95%

Electrical Data

- maximum secondary voltage 45 kV
- resistance primary side 0.6 Ω ± 0.1 Ω
- resistance secondary side 11.5 kΩ +0.5 kΩ / -2.0 kΩ

Compatibility

- compatible ignition controllers MIC3, MIC4, MIC5, MIC500, MIC850
- compatible technologies MOST ¹⁾, ASC ²⁾



1) MOST – MOTORTECH Output Stage Technology used in MOTORTECH ignition controllers MIC3, MIC4, MIC5.

2) ASC – Automatic Spark Control used in MOTORTECH ignition controller MIC850.

Overview Drawings

