

Ignition Coil

P/N 06.50.107

Dimensions

• length	161.6 mm (6.36")
• width	101.2 mm (3.98")
• height	72 mm (2.83")
• distance between fastening screws	73 mm (2.87")

Connections

• primary side	N10-32UNF
• secondary side	M6
• torque primary side	3 Nm (2.2 lb-ft) ± 10%
• torque secondary side	10 Nm (7.4 lb-ft) ± 10%

Mechanical Data

• weight	approx. 1 kg (2.2 lb)
• permissible vibrations	5g at 20 Hz to 2000 Hz
• torque of fastening screws on the ignition rail	16 Nm (11.8 lb-ft) ± 10%

Climatic Environmental Conditions

• permissible temperature range	-20 °C to +95 °C (-4 °F to +203 °F)
• maximum relative humidity	95%

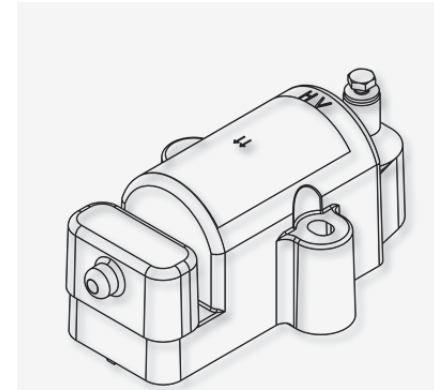
Electrical Data

• maximum secondary voltage	45 kV
• resistance primary side	0.55 Ω ± 0.1 Ω
• resistance secondary side	9.9 kΩ ± 1 kΩ

Compatibility

• compatible ignition controllers	MIC3, MIC4, MIC5
• compatible technologies	MOST ¹⁾

¹⁾ MOST – MOTORTECH Output Stage Technology used in MOTORTECH ignition controllers.



Overview Drawings

