

## Shielded Ignition Coil

P/N 95.09.074

### Dimensions

- Length 213.6 mm (8.41")
- Diameter of coil body 62 mm (2.44")
- Distance of mounting screws 66 mm to 79 mm (2.60" to 3.11")

### Connections

- Primary side MIL., 3 pole, pin, 5/8-24 UNEF
- Secondary side 3/4-20 UNEF
- Torque primary side 3 Nm  $\pm$  10 % (2.2 lb-ft  $\pm$  10 %)
- Torque secondary side 5 Nm  $\pm$  10 % (3.7 lb-ft  $\pm$  10 %)

### Mechanical Data

- Weight Approx. 1.8 kg (4.0 lb)
- Permissible vibrations 5 g at 20 Hz to 2000 Hz
- Torque for mounting screws on MOTORTECH wiring rail 16 Nm  $\pm$  10 % (11.8 lb-ft  $\pm$  10 %)

### Climatic Environmental Conditions

- Permissible temperature range during operation -20 °C to +100 °C (-4 °F to +212 °F)
- Permissible temperature range for storage -40 °C to +120 °C (-40 °F to 248 °F)
- Maximum relative humidity 95 %

### Electrical Data

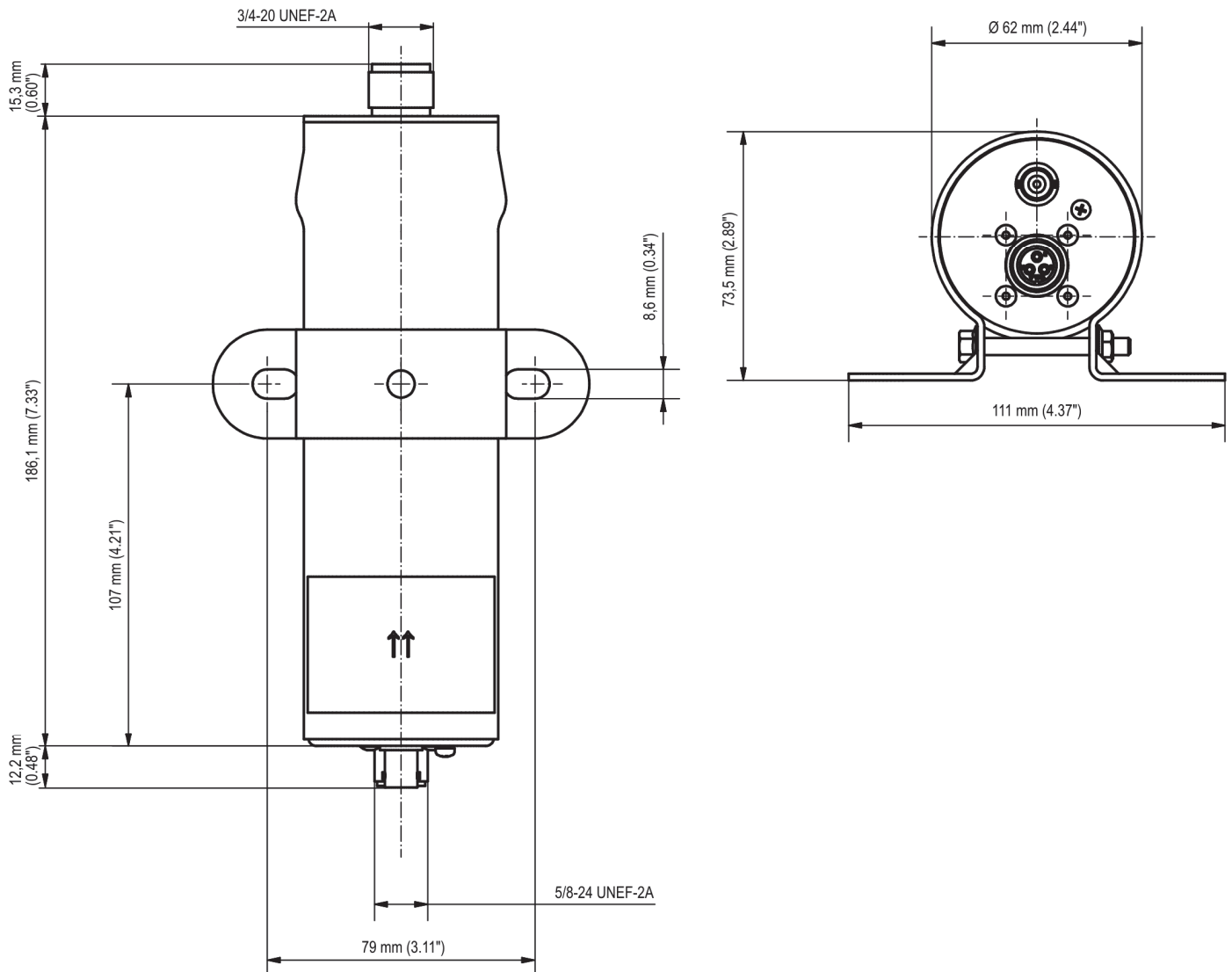
- Maximum secondary voltage 40 kV  $\pm$  2.5 kV
- Resistance primary side 0.35  $\Omega$   $\pm$  0.1  $\Omega$
- Resistance secondary side 8 k $\Omega$  +0.5/-1 k $\Omega$
- Polarity Negative ground

### Compatibility

- Compatible ignition controllers MIC500, ALT I, ALT III, ALT V, CD200, CD200D, DISN, CPU90



## Overview Drawings



## Coil Circuit Diagram

